



BASIC UNIT SIMOCODE PRO S PROFIBUS DP INTERFACE 1,5 MBIT/S, 4I/2O FREELY PARAMETERIZABLE; US: AC/DC 110-240V; INPUT F. THERMISTOR MOTOR PROTECTION; RELAY OUTPUTS MONOSTABLE; EXPANDABLE BY ONE EXPANSION MODULE

Figure similar

product brand name	SIRIUS
Product designation	SIMOCODE pro S Motor Management System
Design of the product	Basic device 0

General technical data:

Active power loss total typical	5 W
Insulation voltage	
• with degree of pollution 3 Rated value	300 V
• Rated value	300 V
Shock resistance	
• acc. to IEC 60068-2-27	15g / 11 ms
Vibration resistance	1-6 Hz / 15 mm; 6-500 Hz / 2 g
Surge voltage resistance Rated value	4 000 V
Mechanical service life (switching cycles)	
• typical	10 000 000
Electrical endurance (switching cycles)	
• typical	100 000
Protection class IP	IP20
Equipment marking	
• acc. to DIN EN 61346-2	F
• acc. to DIN EN 81346-2	F

Electromagnetic compatibility:

EMC emitted interference	
• acc. to IEC 60947-1	class A
EMI immunity acc. to IEC 60947-1	corresponds to degree of severity 3

Conducted interference due to burst acc. to IEC 61000-4-4	2 kV (power ports) / 1 kV (signal ports)
Conducted interference due to conductor-earth surge acc. to IEC 61000-4-5	2 kV
Conducted interference due to conductor-conductor surge acc. to IEC 61000-4-5	1 kV
Conducted interference due to high-frequency radiation acc. to IEC 61000-4-6	10 V
Field-bound parasitic coupling acc. to IEC 61000-4-3	10 V/m
Electrostatic discharge acc. to IEC 61000-4-2	6 kV contact discharge / 8 kV air discharge

Inputs/ Outputs:

Number of inputs	4
• for thermistor connection	1
Number of digital inputs	
• with a common reference potential	4
Digital input version	
• Type 1 acc. to IEC 61131	Yes
Number of outputs	2
Number of outputs as contact-affected switching element	2
Number of semiconductor outputs	0

Motor protection functions:

Product function overload protection	Yes
Product function Evaluation of thermistor motor protection	Yes

Motor control functions:

Product function	
• parameterizable overload relay	Yes
• circuit breaker control	Yes
• direct start	Yes
• reverse starting	Yes
• star-delta circuit	Yes
• star-delta reversing circuit	No
• Dahlander circuit	No
• Dahlander reversing circuit	No
• pole-changing switch circuit	No
• pole-changing switch reversing circuit	No
• Slide control	No
• valve control	No

Communication/ Protocol:

Product function Bus communication	Yes
Protocol is supported	

• PROFIBUS DP protocol	Yes
• PROFINET IO protocol	No
• PROFI-safe protocol	No
• LLDP	No
• Address Resolution Protocol (ARP)	No
• SNMP	No
• HTTPS	No
• OPC UA Server	No
• NTP	No
• Media Redundancy Protocol (MRP)	No
Product function	
• web server	No
• shared device	No
• at the Ethernet interface Autonegotiation	No
• at the Ethernet interface Autosensing	No
• MRRT redundancy procedure	No
• is supported PROFINET system redundancy	No
• supports PROFIenergy measured values	No
• supports PROFIenergy shutdown	No
Type of electrical connection of the communication interface	Terminal

Installation/ mounting/ dimensions:	
mounting position	any
Mounting type	screw and snap-on mounting
Height	100 mm
Width	22.5 mm
Depth	124.5 mm

Connections/ Terminals:	
Type of electrical connection	
• for auxiliary and control current circuit	screw-type terminals
Product function	
• removable terminal for auxiliary and control circuit	Yes
Type of connectable conductor cross-section	
• solid	1x (0.5 ... 2.5 mm ²), 2x (0.5 ... 1.5 mm ²)
• finely stranded with core end processing	1x (0.5 ... 2.5 mm ²), 2x (0.5 ... 1 mm ²)
• for AWG conductors	
— solid	1x (20 ... 14), 2x (20 ... 16)
Tightening torque	
• with screw-type terminals	0.6 ... 0.8 N·m
Tightening torque [lbf·in]	

- with screw-type terminals

5.2 ... 7 lbf·in

Ambient conditions:

Installation altitude at height above sea level maximum	4 000 m
Ambient temperature	
• during operation	-25 ... +60 °C
• during storage	-40 ... +80 °C
• during transport	-40 ... +80 °C
• at installation altitude ≤ 3000m during operation maximum	50 °C
• at installation altitude ≤ 4000 m during operation maximum	40 °C
Relative humidity during operation	10 ... 95 %
Contact rating of the auxiliary contacts acc. to UL	B300 / R300

Short-circuit:

Design of short-circuit protection per output	Fuse links: gG 6 A, quick-response 10 A (IEC 60947-5-1), miniature circuit-breaker C char.: 1.6 A (IEC 60947-5-1) or 6 A (I_K < 500 A)
---	--

Safety related data:

Protection against electrical shock	finger-safe
--	-------------

Galvanic isolation:

Design of the electrical isolation	Protective separation in accordance with IEC 60947-1 for all circuits
• Note	Test report no. 2668 is to be observed

Main circuit:

Operating voltage	
• with AC	
— at 50 Hz Rated value	110 ... 240 V
— at 60 Hz Rated value	110 ... 240 V
• for DC Rated value	
— maximum	240 V
— minimum	110 V

Control circuit/ Control:

Type of voltage of the control supply voltage	AC/DC
Control supply voltage with AC	
• at 50 Hz Rated value	110 ... 240 V
• at 60 Hz Rated value	110 ... 240 V
Control supply voltage for DC	
• Rated value	110 ... 240 V
Control supply voltage 1	
• for DC Rated value	240 V

• Rated value	50 Hz
Control supply voltage frequency 2 Rated value	60 Hz
Response value of thermoresistor	3 400 ... 3 800 Ω

Supply voltage:	
Type of voltage of the supply voltage	AC/DC

Certificates/ approvals:

General Product Approval	For use in hazardous locations	Test Certificates
--------------------------	--------------------------------	-------------------



[Special Test Certificate](#)

[Type Test Certificates/Test Report](#)

Shipping Approval	other
-------------------	-------



[Declaration of Conformity](#)



Further information

Information- and Downloadcenter (Catalogs, Brochures,...)

<http://www.siemens.com/industrial-controls/catalogs>

Industry Mall (Online ordering system)

<http://www.siemens.com/industrymall>

Cax online generator

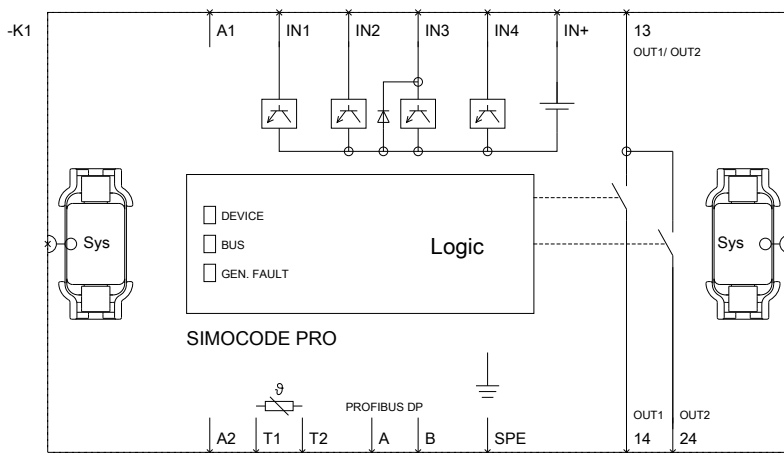
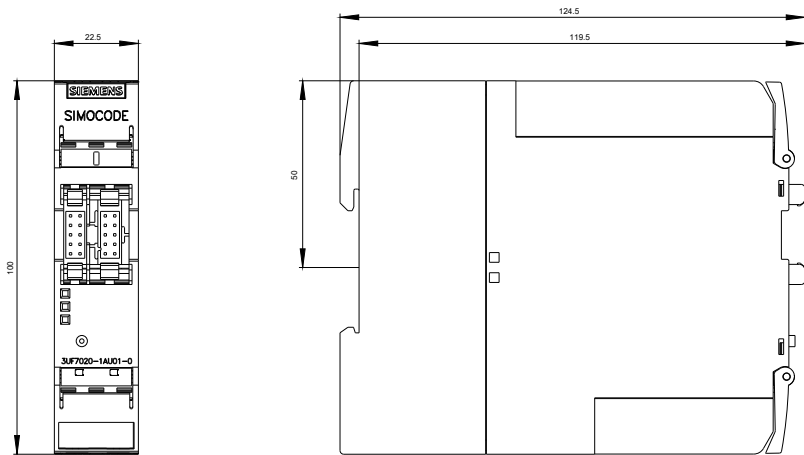
<http://support.automation.siemens.com/WW/CAXorder/default.aspx?lang=en&mlfb=3UF70201AU010>

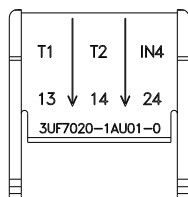
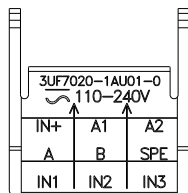
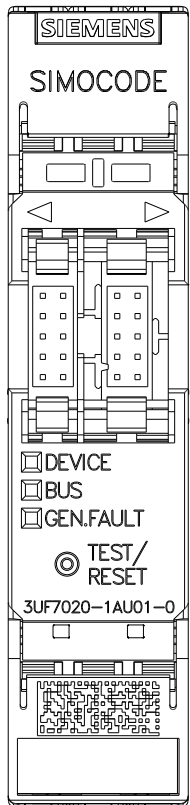
Service&Support (Manuals, Certificates, Characteristics, FAQs,...)

<https://support.industry.siemens.com/cs/ww/en/ps/3UF70201AU010>

Image database (product images, 2D dimension drawings, 3D models, device circuit diagrams, EPLAN macros, ...)

http://www.automation.siemens.com/bilddb/cax_de.aspx?mlfb=3UF70201AU010&lang=en





last modified:

05.05.2015